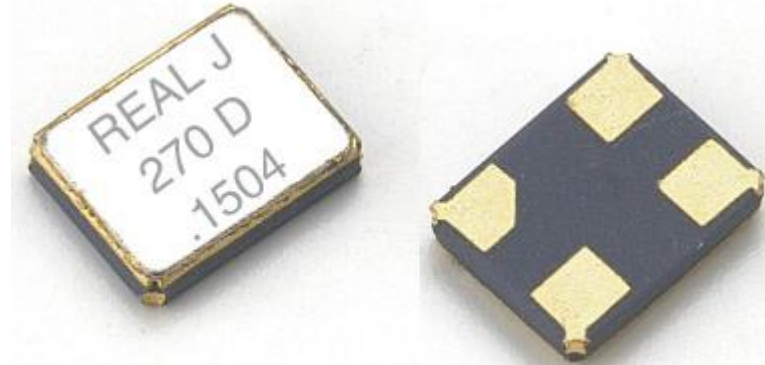


2016SMD Series Crystal Resonator

Features:

- . Seam welding
- . Excellent solderability
- . Automatic and perfect packing due to emboss taping
- . Excellent vibration resistance & shock resistance
- . Rohs compliant / Pb free
- . Excellent aging performance.



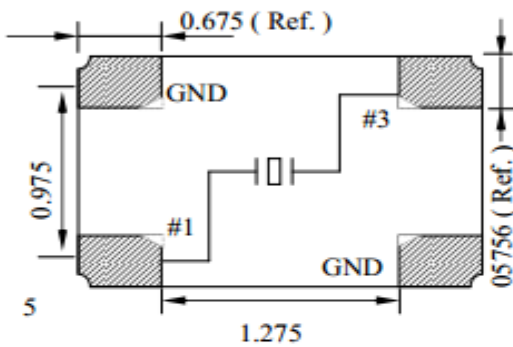
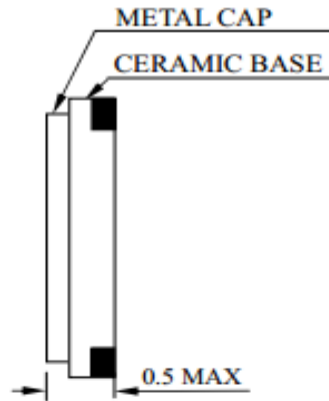
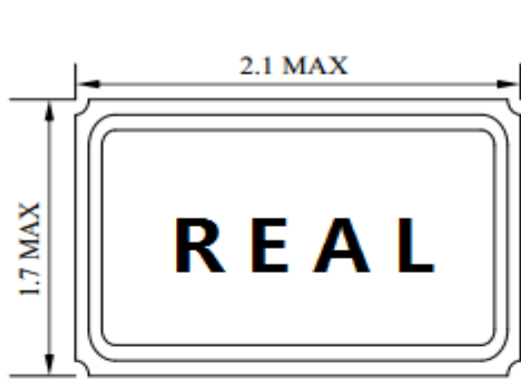
Specification:

Model	2016 SMD
Frequency Range	20.0 ~ 50.000MHz
Frequency Tolerance at 25°C±2°C	±10 ~ ±100ppm(TYP.)
Frequency Stability Over Operating Temp Range	±10 ~ ±100ppm(TYP.)
Operating Temp Range	-10°C ~+60°C,-20°C~+70°C,or customer requirement
Storage Temp Range	-40°C ~ +85°C
Aging Rate	± 3ppm/year
Load Capacitance	6pF ~32pf,series or special
Shunt Capacitance	7pf Max
Drivel Level	1uW~100uW(TYP:100uW)
Oscillation Mode	Fundamental
Measure Instrument	S&A 250B

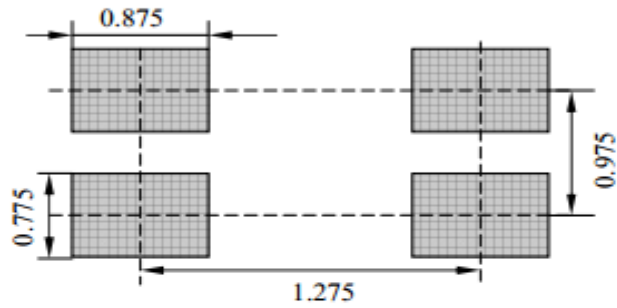
Equivalent Series Resistance(ESR)VS Frequency:

Frequency(MHz)	Oscillation Mode	2016 SMD
20.0~23.9	Fundamental	120Ω max
24.0~29.9	Fundamental	100Ω
30.0~37.9	Fundamental	80Ω
38.0~50.0	Fundamental	60Ω

Dimensions:

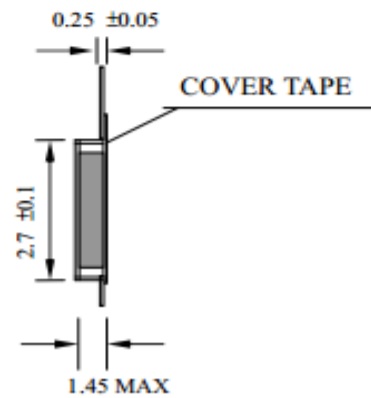
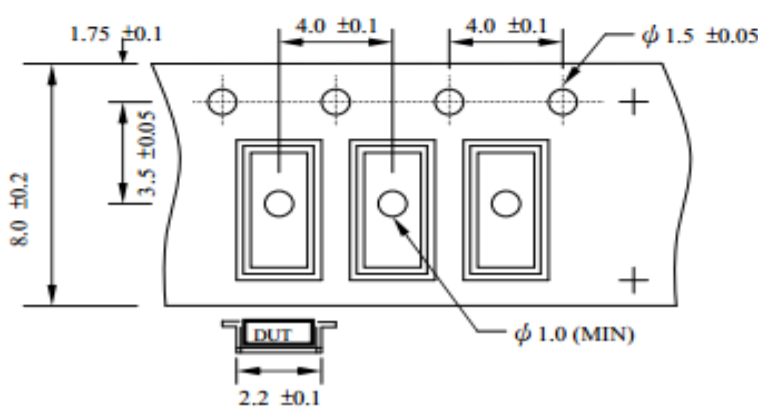


<TOP VIEW>

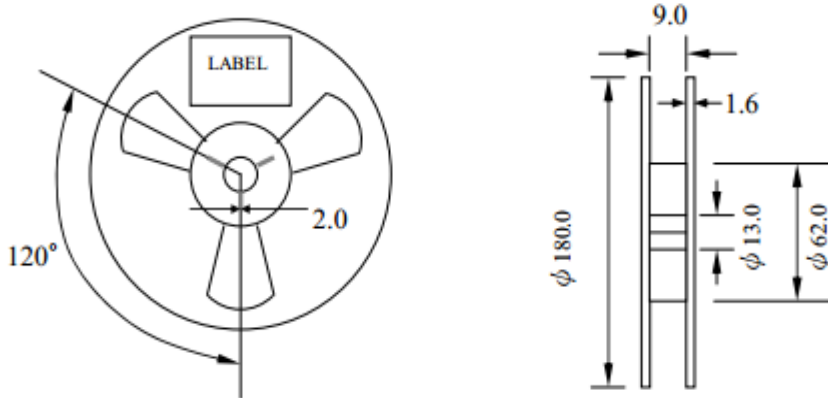


(Recommended Land Pattern)

Tape specification (mm):



Reel packing (mm):



Reflow Temperature profile:

