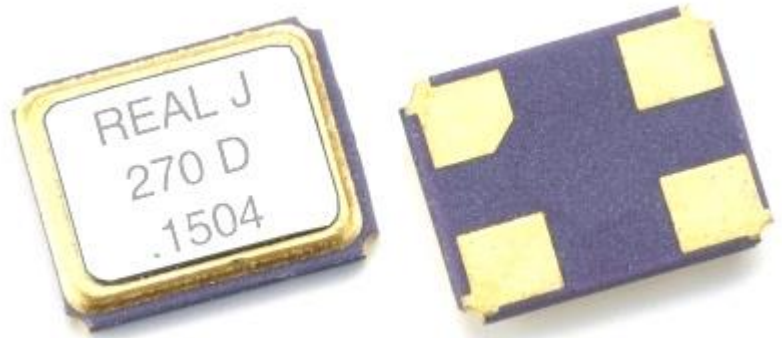


## 2520 SMD OSCILLATORS SMD TYPE CERAMIC

### Features:

- . Seam welding
- . Excellent solderability
- . Automatic and perfect packing due to emboss taping
- . Excellent vibration resistance & shock resistance
- . Rohs compliant / Pb free.



### Specification:

Model		2520 SMD	
Frequency Range	MHz	2.0 ~ 50.000MHz	
Frequency Stability	ppM	A:±100	B: ±50 C:±30 D:±25
Environmental Condition			
Operating Temp Range	° C	0 ~ 70 , -40 ~ 85	
Storage Temp Range		-55 ~ 125	
Output Level		CMOS	
Output Symmetry	%	40% ~ 60% (at 50%V DC)	
Power Supply Voltage	V DC	2.5V±5%	3.3V±10%
Input Current			
2.0 ~ 9.99 MHz	mA	6	7
10.0 ~ 19.99 MHz		8	7
20.0 ~ 31.99 MHz		8	12
32.0 ~ 50.00 MHz		20	20
Rise and Fall Time			
2.0 ~ 9.99 MHz	ns	7	6
10.0 ~ 19.99 MHz		7	6
20.0 ~ 31.99 MHz		6	5
32.0 ~ 50.00 MHz		9	5
Output Load		15pF	
AGING	ppm/Year	±3	

\*Inclusive of 25°C±3°C&Operating Temperature Range

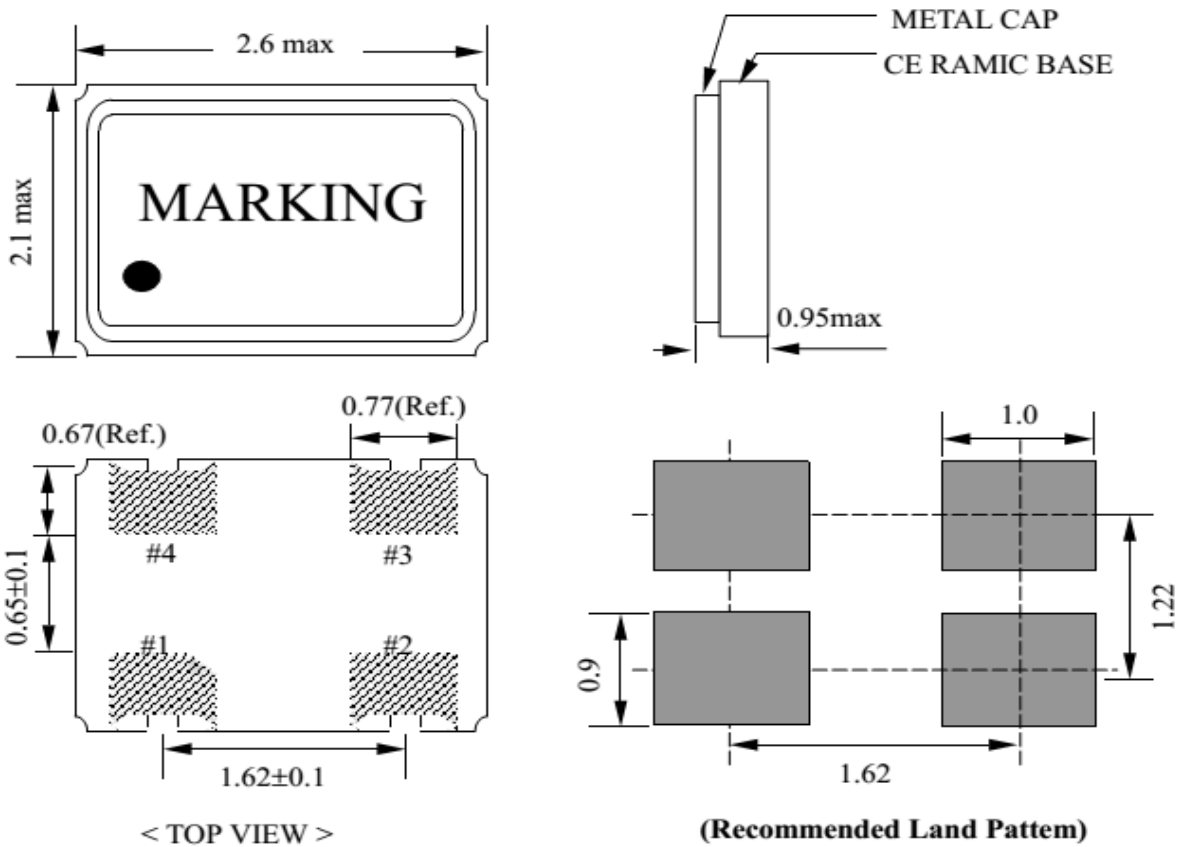
\*Symmetry of 45%~55% is available



北京瑞安嘉业科技发展有限公司  
BEIJING REALGIANT TECHNOLOGY CO., LTD

---

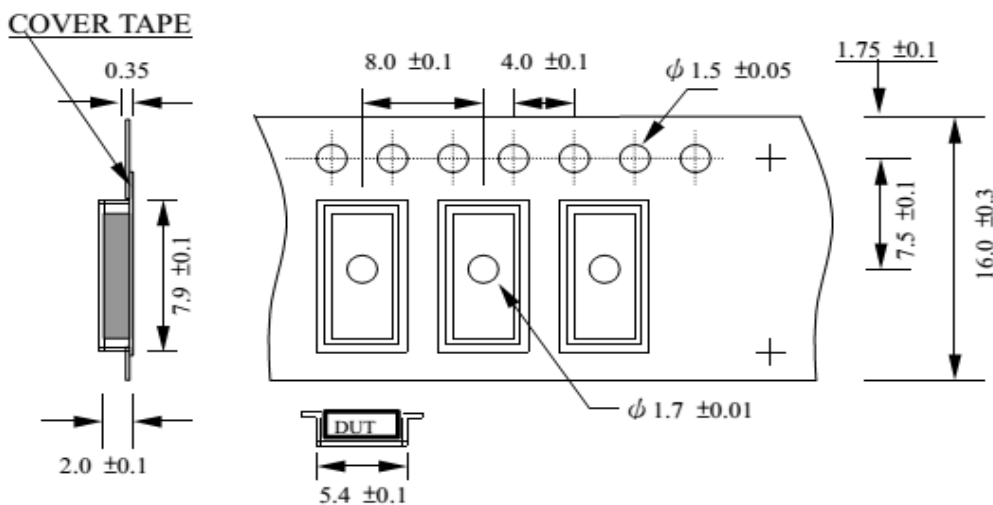
## **Dimensions:**



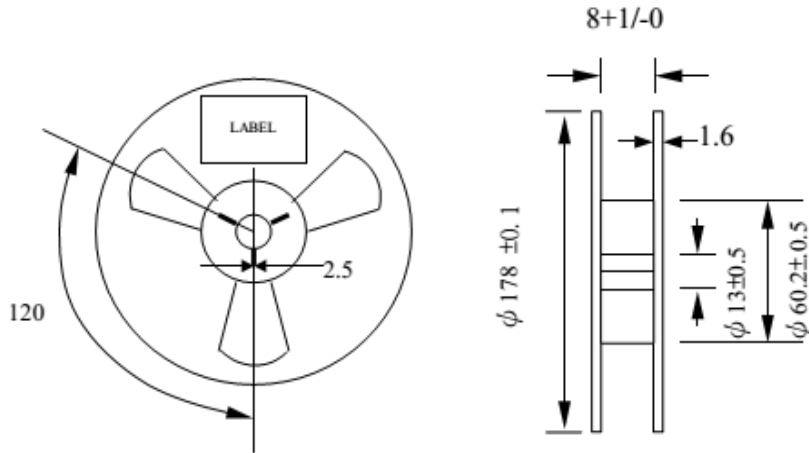
#1: ENABLE / DISABLE FUNTION

INH (PIN 1)	→	OUTPUT (PIN 3)	# NO.: define	
High (OPEN)	→	Operating	#4: VDD	#3: OUTPUT
LOW	→	High impedance	#1: E/D	#2: GND

**Tape specification(mm) :**



**Reel packing : (mm)**



**Reflow Temperature Profile:**

