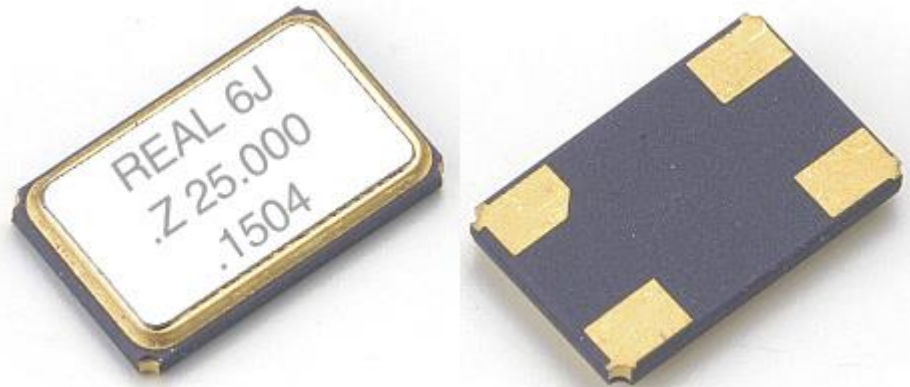


3225 SMD OSCILLATORS SMD TYPE CERAMIC

Features:

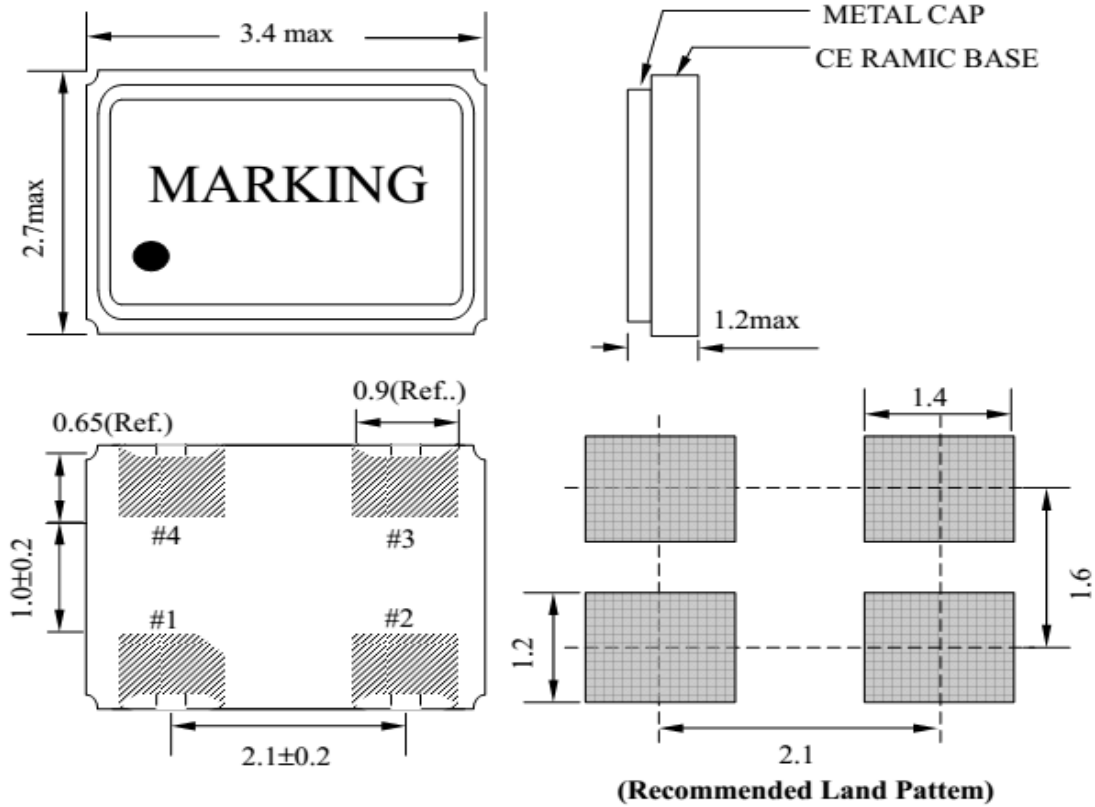
- . Seam welding
- . Excellent solderability
- . Automatic and perfect packing due to emboss taping
- . Excellent vibration resistance & shock resistance
- . Rohs compliant / Pb free



Specification:

Model		3225 SMD				
Frequency Range	MHz	2.0 ~ 54.000MHz				
Frequency Stability	ppM	A:±100	B: ±50	C:±30	D:±25	
Environmental Condition						
Operating Temp Range	° C	0 ~ 70 , -40 ~ 85				
Storage Temp Range		-55 ~ 125				
Output Level		CMOS				
Output Symmetry	%	40% ~ 60% or 45% ~ 55%(at 55%V DC)				
Power Supply Voltage	V DC	5.0V±10%	3.3V±10%	2.8V±10%	2.5V±10%	1.8V±10%
Input Current						
2.0 ~ 9.99 MHz	mA	20	7	6	6	5
10.0 ~ 19.99 MHz		20	7	8	8	6
20.0 ~ 31.99 MHz		25	12	8	8	6
32.0 ~ 49.99 MHz		35	20	20	20	15
50.0 ~ 54.00 MHz		50	20	20	20	15
Rise and Fall Time						
2.0 ~ 9.99 MHz	ns	15	20	5	5	7
10.0 ~ 19.99 MHz		15	15	5	5	7
20.0 ~ 31.99 MHz		15	10	5	5	6
32.0 ~ 49.99 MHz		15	10	5	5	6
50.0 ~ 54.00 MHz		10	10	5	5	6
Output Load		15pF				

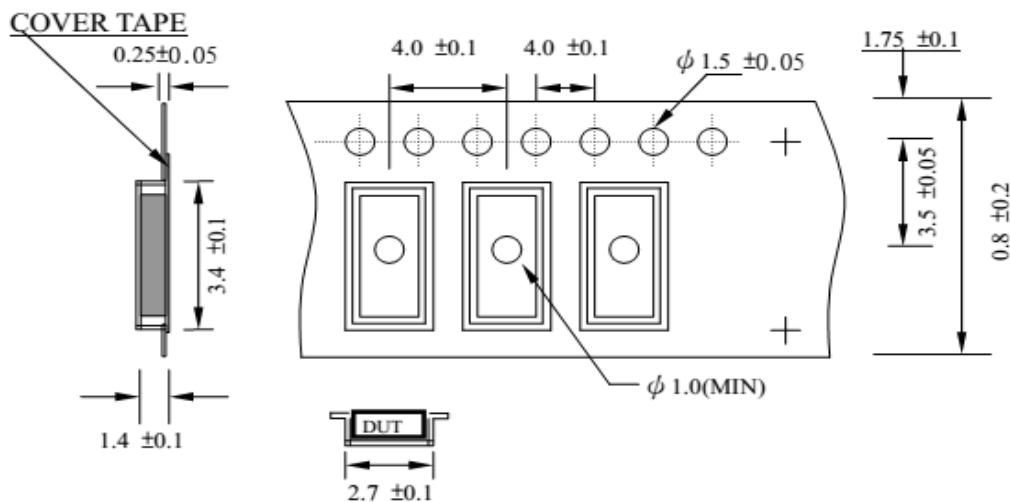
Dimensions:



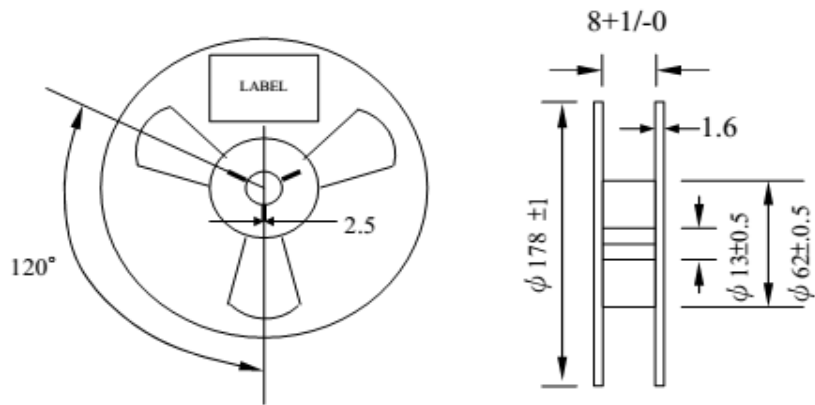
#1: ENABLE / DISABLE FUNTION

INH (PIN 1)	→	OUTPUT (PIN 3)	# NO.: define
High (OPEN)	→	Operating	#4: VDD #3: OUTPUT
LOW	→	High impedance	#1: E/D #2: GND

Tape specification (mm):



Reel packing (mm):



TOLERANCE : ± 0.2 (mm)

Reflow Temperature Profile:

