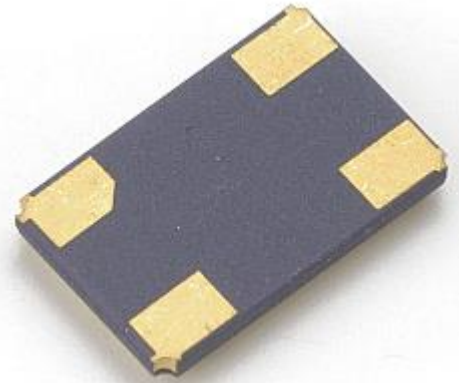


## 5032 SMD OSCILLATORS SMD TYPE CERAMIC

### Features:

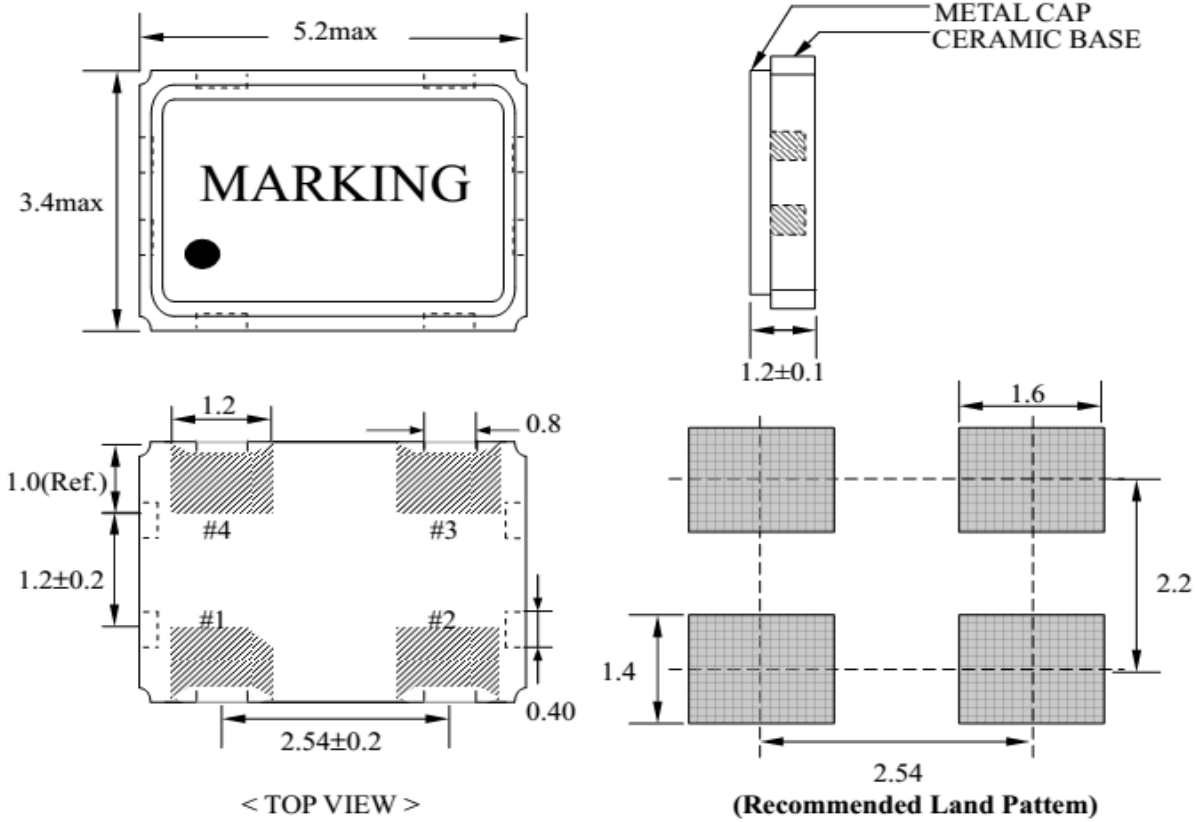
- . Seam welding
- . Excellent solderability
- . Automatic and perfect packing due to emboss taping
- . Excellent vibration resistance & shock resistance
- . Rohs compliant / Pb free



### Specification:

Model		5032 SMD				
Frequency Range	MHz	1.0 ~ 125.000MHz				
Frequency Stability	ppM	A:±100	B: ±50	C:±30	D:±25	
Environmental Condition						
Operating Temp Range	° C	0 ~ 70 , -40 ~ 85				
Storage Temp Range		-55 ~ 125				
Output Level		CMOS				
Output Symmetry	%	40% ~ 60% or 45% ~ 55%(at 55%V DC)				
Power Supply Voltage	V DC	5.0V±10%	3.3V±10%	2.8V±10%	2.5V±10%	1.8V±10%
Input Current						
1.0 ~ 9.99 MHz	mA	20	7	6	6	5
10.0 ~ 19.99 MHz		20	7	8	8	6
20.0 ~ 31.99 MHz		25	12	8	8	6
32.0 ~ 49.99 MHz		35	20	20	20	15
50.0 ~ 79.99 MHz		50	25	20	20	15
80.0 ~ 99.99 MHz		60	30		25	20
100.0 ~ 125.0 MHz		80	40		30	25
Rise and Fall Time						
1.0 ~ 9.99 MHz	ns	15	20	5	5	5
10.0 ~ 19.99 MHz		15	15	5	5	5
20.0 ~ 31.99 MHz		15	10	5	5	5
32.0 ~ 49.99 MHz		15	10	5	5	5
50.0 ~ 79.99 MHz		10	8	5	5	4
80.0 ~ 99.99 MHz		10	5	5	5	3
100.0 ~ 125.0 MHz		10	4	5	5	3
Output Load		15pF				

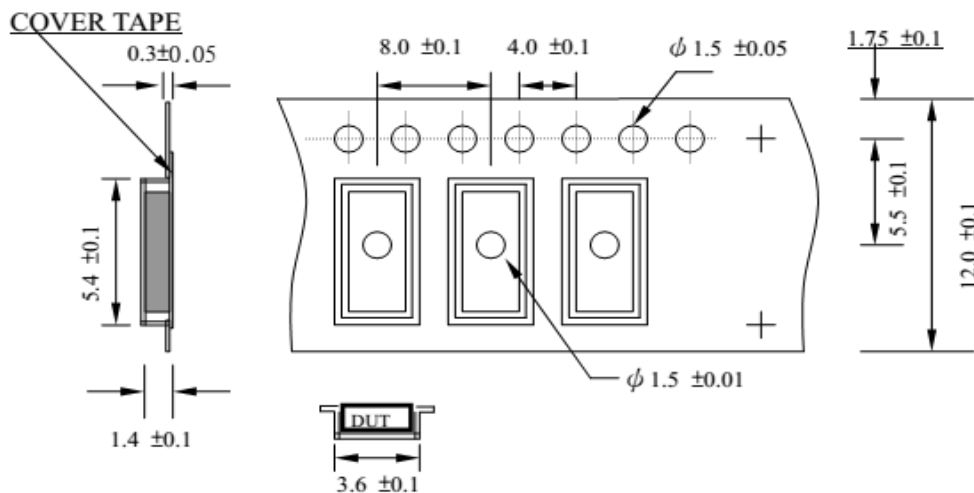
**Dimensions:**



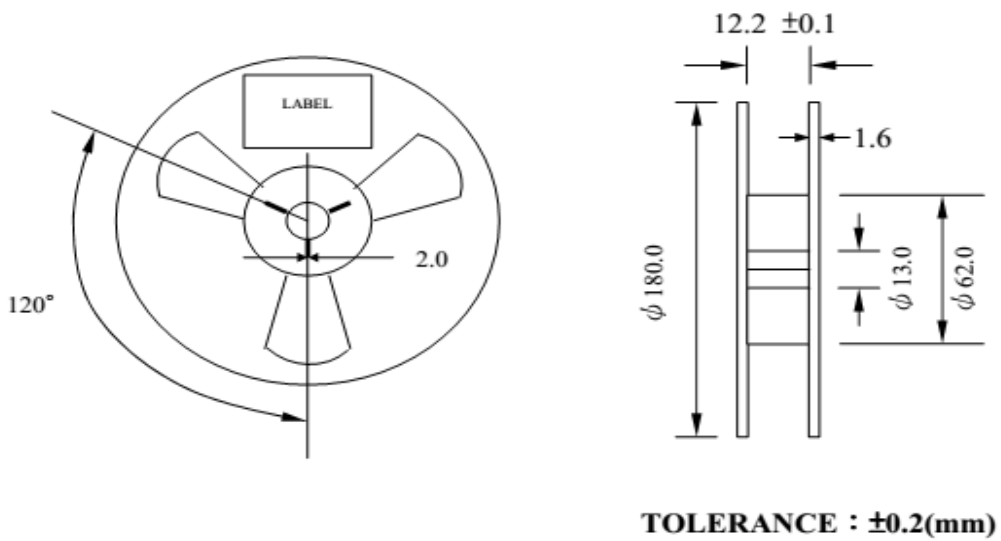
**#1: ENABLE / DISABLE FUNCTION**

INH (PIN 1)	→	OUTPUT (PIN 3)	# NO.: define
High (OPEN)	→	Operating	#4: VDD #3: OUTPUT
LOW	→	High impedance	#1: E/D #2: GND

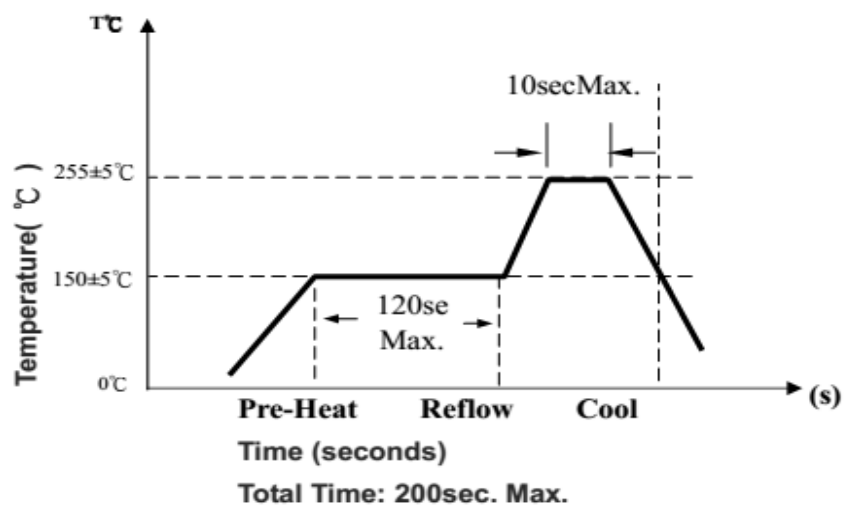
**Tape specification (mm):**



**Reel packing (mm):**



**Reflow Temperature Profile:**



\* Above specification subject to change without prior notice, please consult our sales @ [www.crystal-bj.com](http://www.crystal-bj.com)



北京瑞安嘉业科技发展有限公司  
BEIJING REALGIANT TECHNOLOGY CO., LTD

---