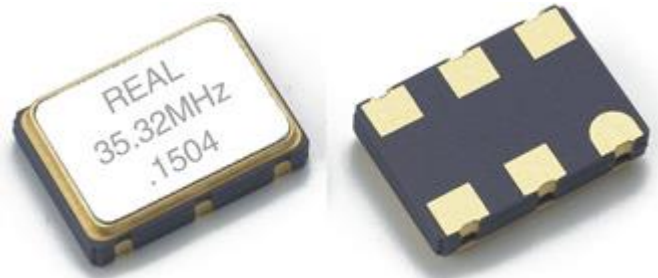


VC5032SMD 6PAD

Features:

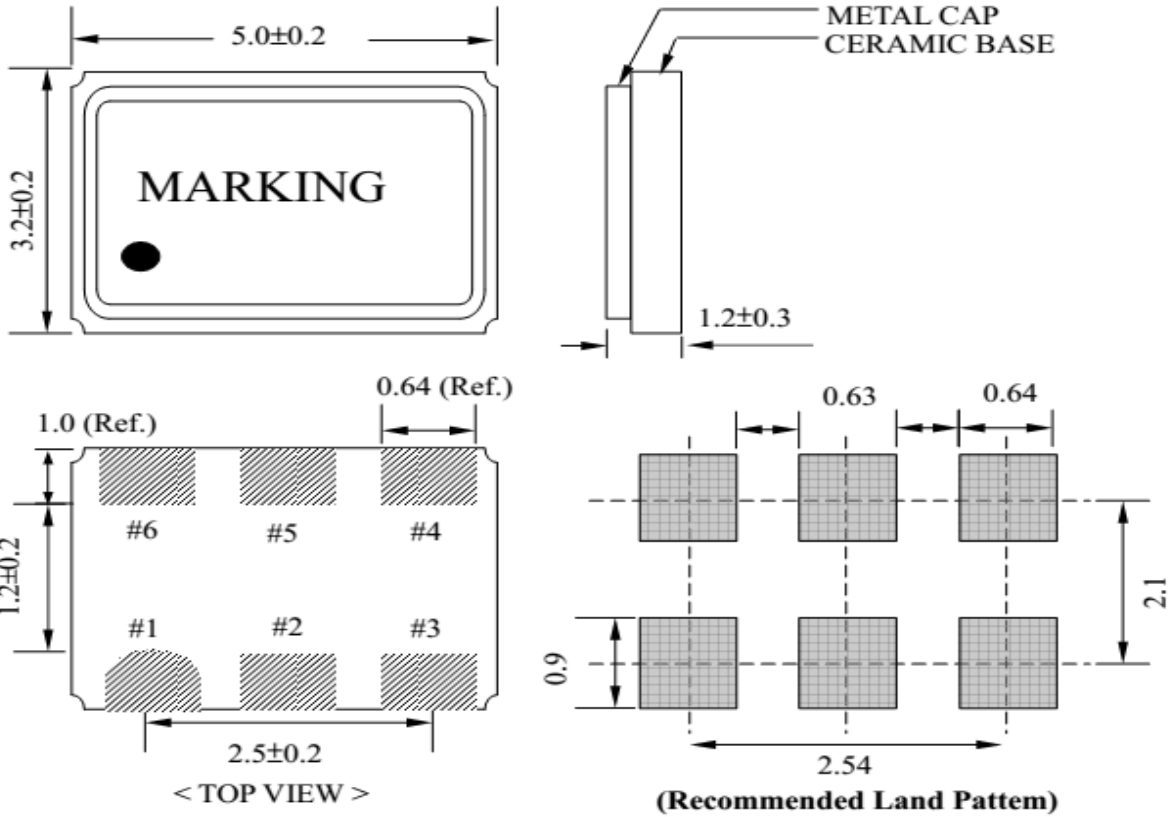
- Excellent environmental capability
- Frequency adjustable
- Supply voltage: 3.3V or 2.5V
- Low power consumption
- High accuracy and high reliability



Specification:

Model		VC5032 SMD 6PAD
Frequency Range	MHz	12.0 ~ 35.328MHz
Output Type		CMOS
Frequency Stability	ppM	±25 ~ ±50 min.(Vcon at 50% VDC)
Voltage Vol (Max.) / Voh (Min.)		0.1 VDD / 0.9 VDD
Operating Temp Range	°C	-20 ~ 70 , or specify
Storage Temp Range		-55 ~ 125
Pullability	PPM	±50 ~ ±100 min , or specify
Power Supply Voltage	V DC	3.3V±10% or 2.5V±10%
Output Symmetry	%	40% ~ 60% or 45% ~ 55%
Input Current	mA	30 mA max
Output Load		15 pF
Rise and Fall Time	ns	10 ns max

Dimensions:



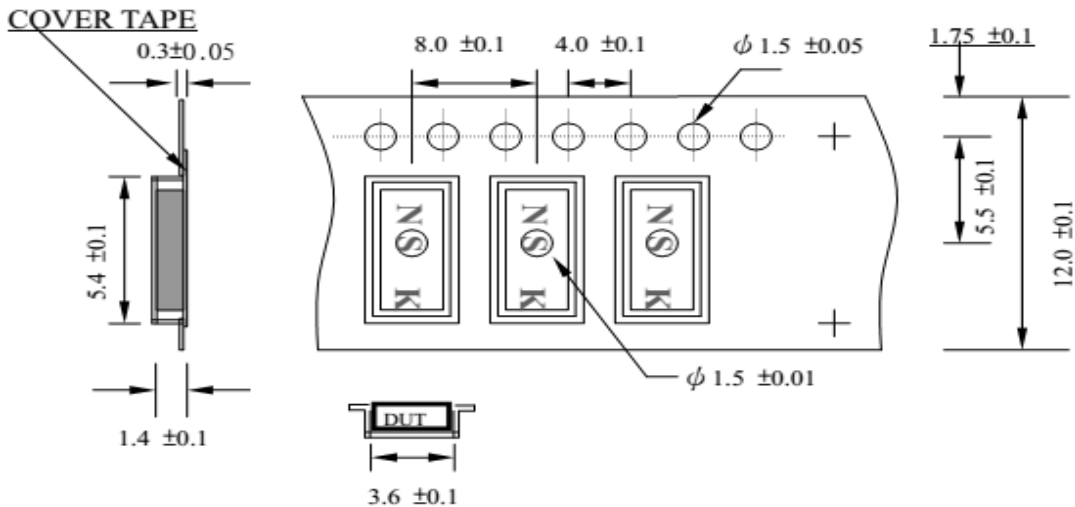
< TOP VIEW >

(Recommended Land Pattern)

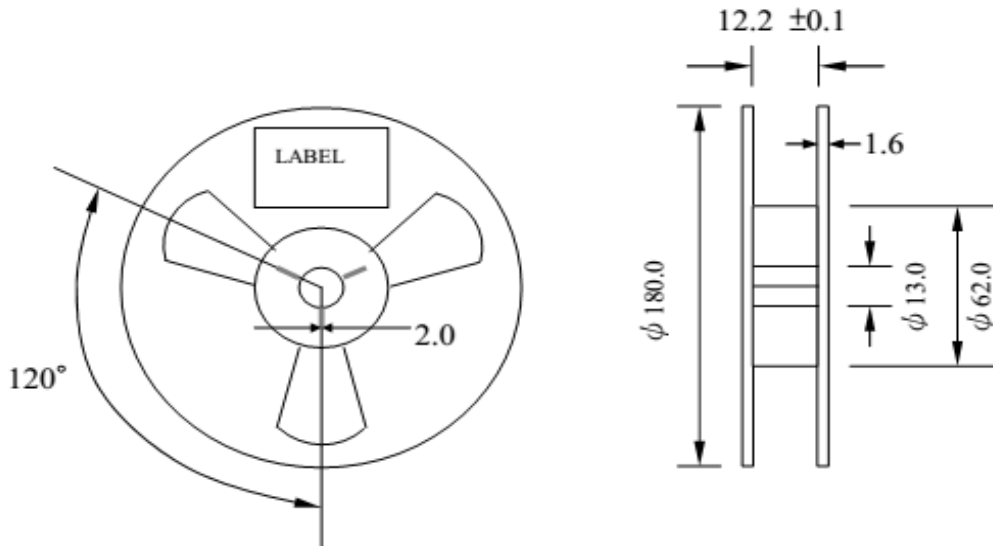
#1: ENABLE / DISABLE FUNTION

INH (PIN 2)	→	OUTPUT (PIN4)	# NO.: define		
High (OPEN)	→	Operating	#6: VDC	#5: NC	#4: OUTPUT
LOW	→	High impedance	#1: Vcon	#2: E/D	#3: GND

Tape specification (mm):



Reel packing (mm):



Reflow Temperature Profile:

