

High Stability OCXO 3627

Features:

- High reliability
- Mass production with good uniformity
- ISO9001:2008 & ISO 14001:2004 certificated
- ROHS compliant
- Custom build capability



Specification:

Parameter	Min	Typ.	Max	Unit	Condition	Note
Frequency Stability						
Frequency		10		MHz		
Initial Frequency Accuracy	-100		+100	ppb	Vc=2.5V/ @25°C,after 15mins power on ref to nominal frequency.	
Supply Variation	-0.3		+0.3	ppb	Vs±5%, @25°C	
Load Variation	-0.3		+0.3	ppb	CL±5%, @25°C	
Aging	per day	-0.2	+0.2	ppb	Aging after 30 days of operation	For 10.000MHz operational frequency
	first year	-40	+40	ppb		
	10 years	-0.2	+0.2	ppm		
Temperature Stability	-0.4		+0.4	ppb	-20°C~+70°C @ 25°C	
Short Tem Stability (in still air)			0.05	ppb/s	after power on 1hour@25°C	
Warm -up time			5	min	Vc=2.5V,@+25°C,Within ±10PPb of final frequency with reference after 1 hour on	
Freq Retrace Characteristics	-10		+10	ppb	Power on 24hs, then off 24hs, switch on again, after 0.5h , measure freq.vs. frequency prior to power off.	
Supply Voltage/Current						
Voltage Supply	4.75	5	5.25	V		
Operating Current			950	mA	during warm up	
			400	mA	at steady state	
Output Characteristics						
CMOS	Load		15	pF		
	Output Level(VOL)			0.4	V	

* Above specification subject to change without prior notice, please consult our sales @ www.crystal-bj.com



	Output Level(VOH)	2.4			V		
	Duty Cycle	45		55	%		
	Rise Time/ Fall Time			5	ns		
Sine-Wave	Load		50		Ω		
	Level	5	7	9	dBm		
	Harmonics Level			-40	dBc		
Spurious				-70	dBc		
Phase Noise							
Phase Noise				-90	dBc/H z	@1Hz	For 10.00MHz operational frequency
				-120		@10Hz	
				-140		@100Hz	
				-145		@1KHz	
				-150		@10KHz	
				-150		@100KHz	
Voltage Control Characteristics							
Control Voltage Range	0	2.5	5.0		V		
Frequency tuning range	-0.7		-0.3	ppm	Vc=0V	For 10.00MHz operational frequency	
	-100		+100	ppm	Vc=2.5V		
	+0.3		+0.7	ppm	Vc=5V		
Slope	Positive						
Linearity	-10		+10		%		
Input Impedance	100				K Ω		
Mechanical specification & Package							
Package Size	Refer to the below drawing						
Pin Connector Size							
Pin Connector Definition							
ROHS	RoHS compliant (network exempted)						

Environmental, Mechanical Conditions

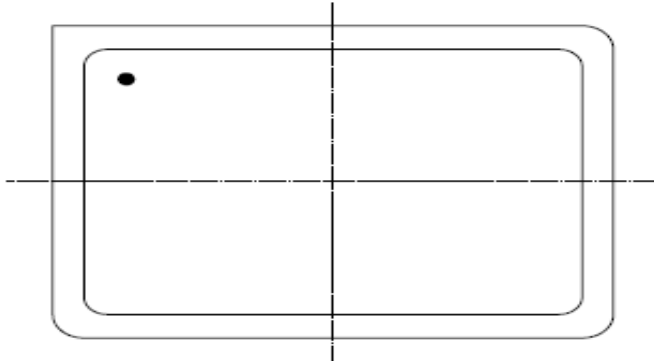
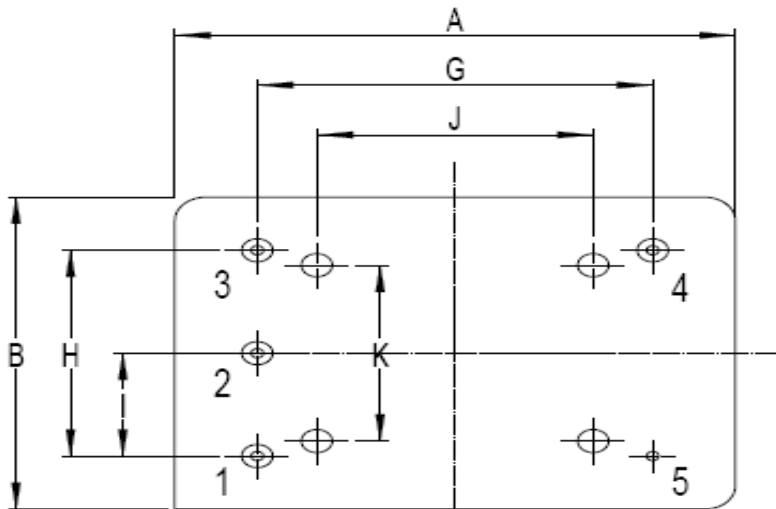
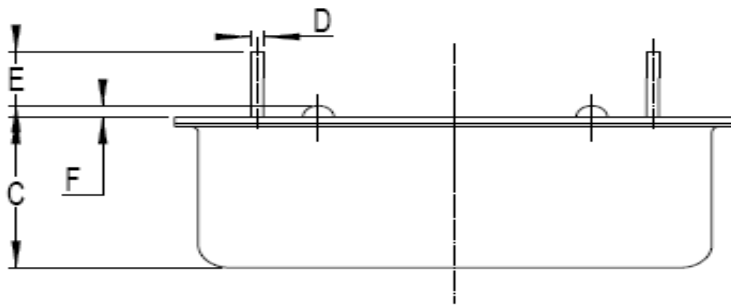
Operating temp range	-20°C~+70°C
Operable temp range	-40°C~+85°C
Storage temp range	-50°C~+105°C
Drop Test	The test shall be carried out as the provisions of the IEC60028-2-32 test Ed. 10cm height, 3 times on hard board with thickness of 3cm

* Above specification subject to change without prior notice, please consult our sales @ www.crystal-bj.com

Bumping Test	Device are bumped to three mutually perpendicular axes at peak acceleration of 400m/s ² , each 4000±10 times , 6ms pulse duration time.
Vibration test	Frequency range: 1Hz-4Hz-100Hz-200Hz Acceleration: 0.0001g ² /Hz-0.01g ² /Hz-0.01g ² /Hz-0.001g ² /Hz Grms=1.15g Sweep time: 30 minutes (perpendicular axes each sweep time)
Mechanical Shock	100g, 6mS duration, 1/2 sine wave, 3 shocks each direction along 3 mutually perpendicular planes.
Thermal shock	0.5h@-40°C , 0.5h@+85°C , Note: the changing time < 30 seconds, cycling for 100 times

Dimensions:

Unit: mm



Pin Function:

Pin No.	Pin Function
1	VC
2	NC
3	VS
4	Output
5	GND

Symbol	Dimension (mm)	
	Min	Max
A		36.4
B		27.4
C		12.5
D	0.73	0.87
E	4.5	5.9
F	0.4	0.7
G	25.2	25.6
H	17.5	18.0
I	8.80	9.00
J	17.75 nominal	
K	15.21 nominal	



How to Order

DOC36

Code	Size (mm)
DOC 36	36.4X27.4X12.5

Output

Code	Specification
L	LVC MOS
H	HCMOS
S	Sine Wave

Supply Voltage

Code	Specification
3	3.3V ± 5%
5	5V ± 5%
2	12V ± 5%

Temperature Range

Code	Specification
A	0°C to +70°C
B	-20°C to +70°C
C	-40°C to +85°C

Temperature stability

Code	Specification	Temp. range code Available
40	± 4X10 ⁻¹⁰	A~C
20	± 2X10 ⁻¹⁰	A~B

Frequency

Eg:10.000MHz