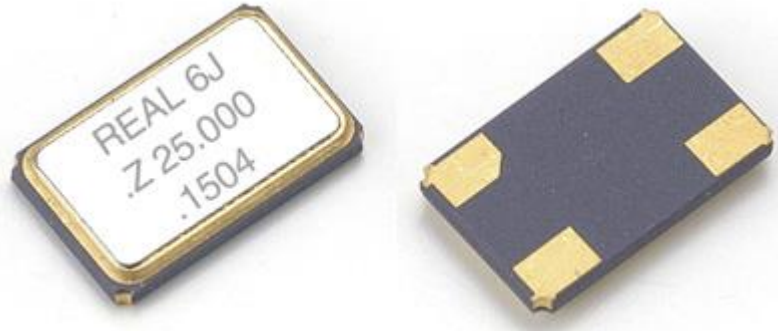


5032SMD Series Crystal Resonator

Features:

- . Seam welding
- . Excellent solderability
- . Automatic and perfect packing due to emboss taping
- . Excellent vibration resistance & shock resistance
- . Rohs compliant / Pb free
- . Excellent aging performance.



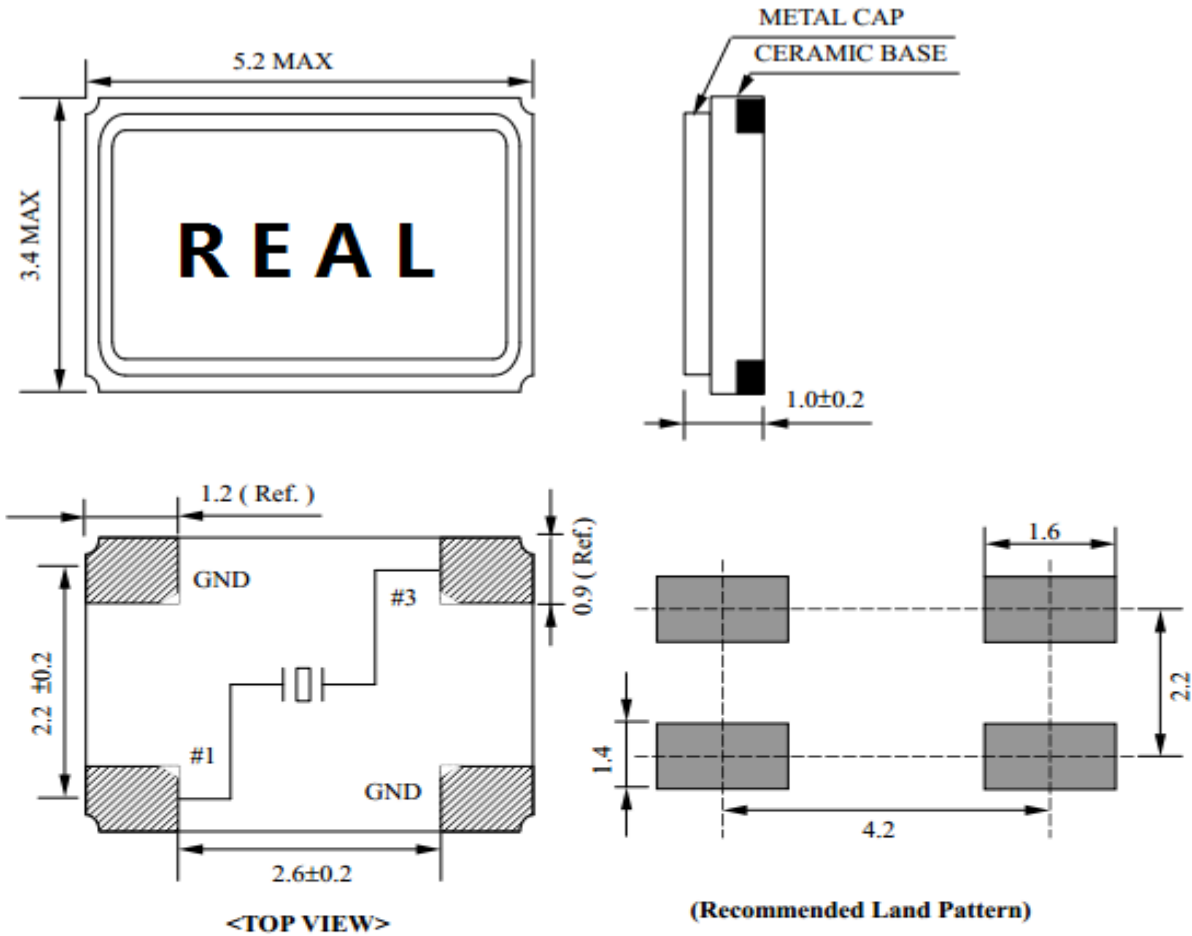
Specification:

Model	5032 SMD
Frequency Range	10.0 ~ 125.000MHz
Frequency Tolerance at 25°C±2°C	±10 ~ ±100ppm(TYP.)
Frequency Stability Over Operating Temp Range	±10 ~ ±100ppm(TYP.)
Operating Temp Range	-10°C ~+60°C,-20°C~+70°C,or customer requirement
Storage Temp Range	-40°C ~ +85°C
Aging Rate	±3ppm/year
Load Capacitance	6pF ~32pf,series or special
Shunt Capacitance	7pf Max
Drivel Level	1uW~100uW(TYP:100uW)
Oscillation Mode	Fundamental, 3 rd overtone
Measure Instrument	S&A 250B

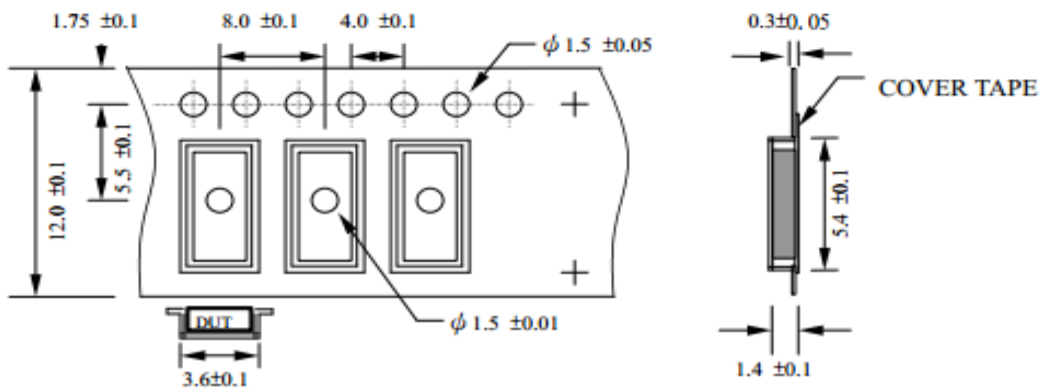
Equivalent Series Resistance(ESR)VS Frequency:

Frequency(MHz)	Oscillation Mode	5032 SMD
10.0~12.0	Fundamental	90Ω max
12.1~25.0	Fundamental	70Ω
25.1~52.0	Fundamental	40Ω
45.1~125.0	3 rd overtone	100Ω

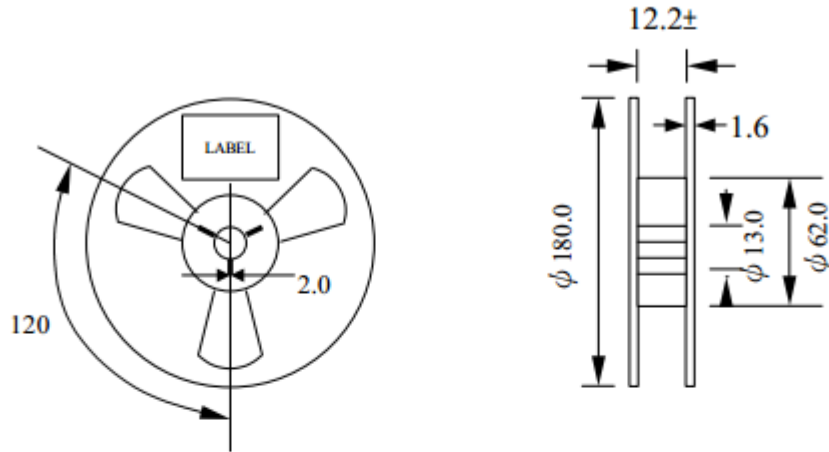
Dimensions:



Tape specification (mm):



Reel packing (mm):



Reflow Temperature profile:

